

REVISION

F	GP	P BRUMLEY
5/17/2007	ECN-76026	
ADD -H, -G, AND -GF TO PLATING. PUT A * BESIDE THE -S, -L AND -F PLATINGS. ADD A NOTE: * DO NOT DESIGN IN FOR EXISTING CUSTOMERS ONLY. *-DR OPTION: CHG IM-LTC-07-01-N TO SUB-IM-LTC-07-01-N.		
G	EM	T SPINE
1/10/2008	ECN-84923	
SHEET 1- PART CALLOUT. NO OF POSITIONS: CHG FROM *-02 THRU *-30* TO *-02 THRU *-50*; ADD -35, -40, -45, & -50 POSITIONS AS STANDARD. END OPTION: -SL AND -DL: ADD (ONLY AVAILABLE ON -10 THRU -30 POS); NOTES SECTION, ADD CRITICAL TO NOTE 4. ADD NOTE 9. COLOR CODED WIRE AVAILABLE IN ALL GAUGES. CALL SAMTEC.		
H	DS	M HOLST
3/10/2008	ECN-87396	
CALLOUT- PLATING SPECIFICATION: CHG -H "SELECTIVE GOLD" TO "HEAVY GOLD", -G "LIGHT SELECTIVE" TO "LIGHT GOLD", -GF "FLASH SELECTIVE" TO "FLASH GOLD".		
J	MB	J EMERSON
5/19/2008	ECN-91176	
SHT 1: NOTES: CHG NOTE 4 *... HI-POT TEST AT 300V: TO *... HI-POT TEST AT 1000 VOLTS DC.; DEL NOTE 9. ADD NOTE 10. SEE DWL-08-XX-X-XX-XX-X FOR CRIMP DIMENSIONS. PART CALLOUT: CHG "SFSD-XX-XX-..." TO "SFSD-XX-XXX-...". ADD "COLOR CODE: LEAVE BLANK FOR ALL BLACK WIRE, C: COLOR CODED WIRE, SEE COLOR SEQUENCE TABLE, SHEET 4"; TABLE 1: CHG "...-10..." TO "...XX..."; SECT AA: CHG "...-10..." TO "...XX..."; SHT 3: TABLE 3- CABLE: CHG "...-10..." TO "...XX...". IN-PROCESS: CHG "DWC-XX-10-300" TO "DWC-XX-XX-300"; SHT 4: ADD "SFSD COLOR CODED WIRE SEQUENCE TABLE"; ALL SHEETS: CHG PART NUMBER "SFSD-XX-XX-..." TO "SFSD-XX-XXX-...".		

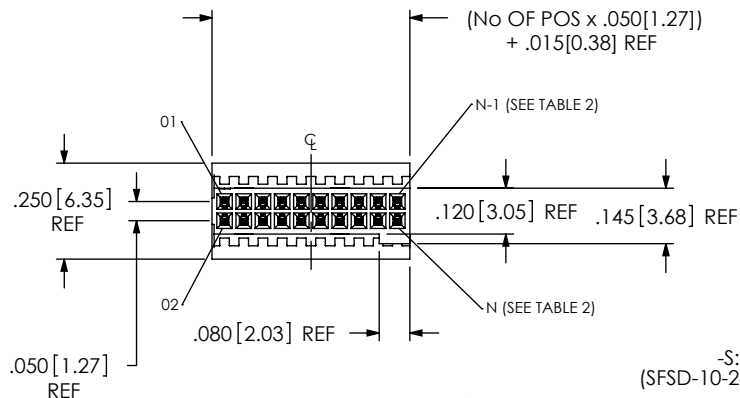
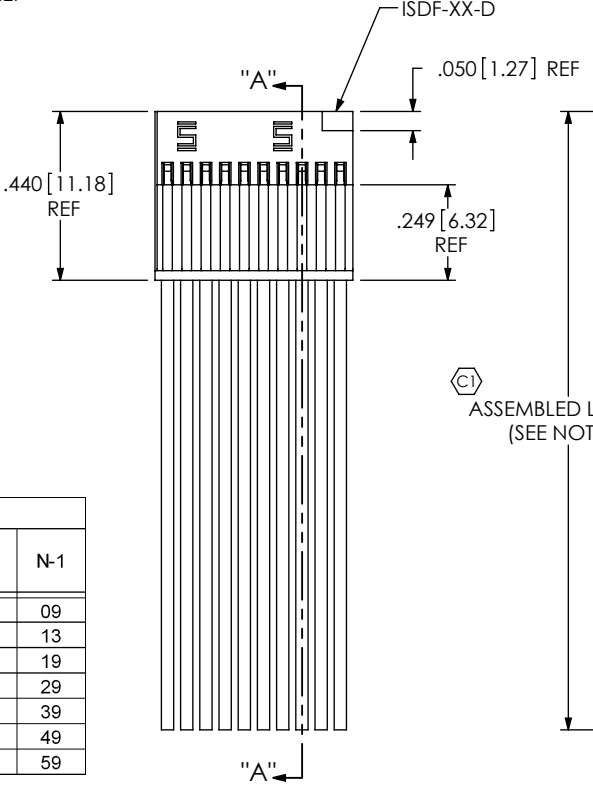


FIG. 1
-S: SINGLE END
(SFSD-10-28-X-XX.XX-S SHOWN)



SECTION "A"-"A"

No. OF POSITIONS	N	N-1
-05	10	09
-07	14	13
-10	20	19
-15	30	29
-20	40	39
-25	50	49
-30	60	59

WIRE GAUGE	DWC-XX-XX-300
28 AWG	DWC-28-XX-300
30 AWG	DWC-30-XX-300

- J** NOTES:
1. C REPRESENTS A CRITICAL DIMENSION.
 2. MINIMUM PULLOUT FORCE: 3.0 LBS [13.3 N].
 3. CONTACT MUST BE INSERTED UNTIL RETENTION FEATURE LOCKS INTO PLACE.
 4. ALL FINISHED GOODS ARE TO BE ELECTRICAL TESTED INCLUDING HI-POT TEST AT 1000 VOLTS DC.
 5. TINNED COPPER WIRE IS RoHS COMPLIANT.
 6. PARTS TO BE LAYER PACKAGED.
 7. END OF DISCRETE WIRE MUST BE IN THE RANGE AFTER CRIMP.
 8. FOR LENGTHS LESS THAN 12 in, TOLERANCE SHALL BE +/- .125. FOR OTHER LENGTHS, TOLERANCE SHALL BE +/- .2%.
 9. NOTE DELETED.
 10. SEE DWL-08-XX-X-XX.XX-X FOR CRIMP DIMENSIONS.

J SFSD-XX-XXX-X-XX.XX-XX-XXX

- No OF POSITIONS
-05, -07, -10, -15, -20, -25, -30 -35 -40, -45, & -50 (PER ROW) AVAILABLE AS STANDARD
-02 THRU -50 AVAILABLE AS ASO
- WIRE GAUGE (AWG)
-28
-30
- COLOR CODE:
LEAVE BLANK FOR ALL BLACK WIRE
C: COLOR CODED WIRE, SEE COLOR SEQUENCE TABLE, SHEET 4
- PLATING SPECIFICATION
* -F: FLASH SELECTIVE
* -L: LIGHT SELECTIVE
* -S: SELECTIVE
-H: HEAVY GOLD
-G: LIGHT GOLD
-GF: FLASH GOLD (SEE TABLE 4, SHEET 3)
- ASSEMBLED LENGTH
SPECIFY IN INCHES
(SINGLE END: 03.00 INCH [76.2mm] MINIMUM, DOUBLE END: 03.25 INCH [82.6mm] MINIMUM)
- NXX OPTION (END 2)
(ONLY AVAILABLE WITH -D, -DL, -DR)
-NUS: NOTCH UP, STRAIGHT (PIN 1 TO PIN N-1)
-NDS: NOTCH DOWN, STRAIGHT (PIN 1 TO PIN 2)
-NUS: NOTCH UP, CROSSED (PIN 1 TO PIN N)
-NDX: NOTCH DOWN, CROSSED (PIN 1 TO PIN 1)
- END OPTION
(END OPTION COMBINATIONS NOT AVAILABLE)
-S: SINGLE END
-D: DOUBLE END
(MUST CHOOSE FROM -NXX OPTIONS)
-SL: SINGLE ENDED WITH FRICTION LOCK (SEE SHEET 2, FIG. 3) (ONLY AVAILABLE ON -10 THRU -30 POSITION)
-DL: DOUBLE ENDED WITH FRICTION LOCK (SEE SHEET 2, FIG. 4) (ONLY AVAILABLE ON -10 THRU -30 POSITION)
(MUST CHOOSE FROM -NXX OPTIONS)
-SR: SINGLE ENDED WITH RETENTION LATCH (SEE SHEET 4, FIG. 5) (USE SUB-IM-LTC-07-01-N) (ONLY AVAILABLE ON -05 THRU -30 POS)
-DR: DOUBLE ENDED WITH RETENTION LATCH (SEE SHEET 4, FIG. 6) (USE SUB-IM-LTC-07-01-N) (ONLY AVAILABLE ON -05 THRU -30 POS) (MUST CHOOSE FROM -NXX OPTIONS)

* DO NOT DESIGN IN. FOR EXISTING CUSTOMERS ONLY.

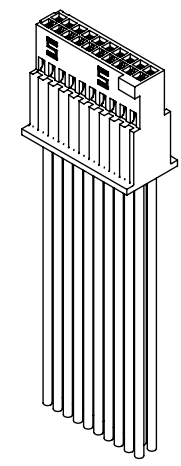
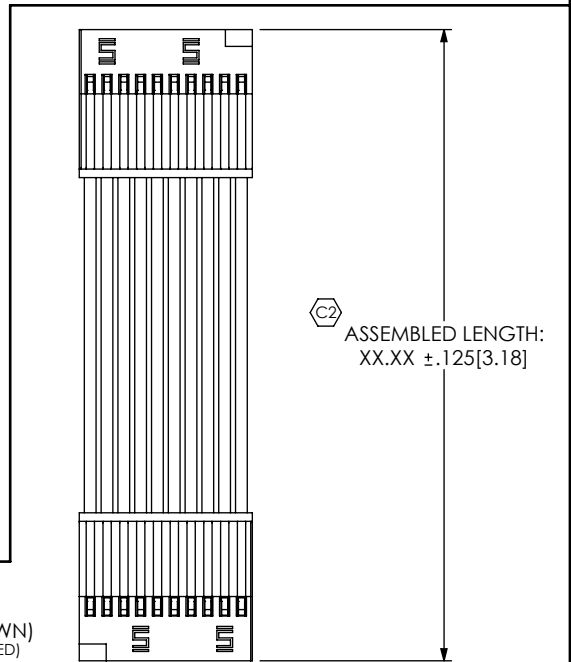


FIG. 2
-D: DOUBLE END
(SFSD-10-28-X-XX.XX-D-NUS SHOWN)
(SAME AS FIG. 1, UNLESS OTHERWISE STATED)



<p>J UNLESS OTHERWISE SPECIFIED, DIMENSIONS ARE IN INCHES. TOLERANCES ARE:</p> <p>DECIMALS ANGLES .XX: ±.01 [.3] 2° .XXX: ±.005 [.13] .XXXX: ±.0020 [.051]</p>	<p>PROPRIETARY NOTE THIS DOCUMENT CONTAINS INFORMATION CONFIDENTIAL AND PROPRIETARY TO SAMTEC, INC. AND SHALL NOT BE REPRODUCED OR TRANSFERRED TO OTHER DOCUMENTS OR DISCLOSED TO OTHERS OR USED FOR ANY PURPOSE OTHER THAN THAT WHICH IT WAS OBTAINED WITHOUT THE EXPRESSED WRITTEN CONSENT OF SAMTEC, INC.</p>		
		<p>520 PARK EAST BLVD, NEW ALBANY, IN 47150 PHONE: 812-944-6733 FAX: 812-948-5047 e-Mail: info@SAMTEC.com code: 55322</p>	
<p>MATERIAL: DO NOT SCALE DRAWING SHEET SCALE: 2:1 INSULATOR: LCP, COLOR: BLACK CONTACT: BeCu CABLE INSULATION: PVC WIRE: TINNED COPPER</p>		<p>DESCRIPTION: .050 [1.27] SOCKET DISCRETE CABLE ASSEMBLY</p>	
<p>J DWG. NO. SFSD-XX-XXX-X-XX.XX-XX-XXX</p>		<p>BY: BRATCHER 5/5/2005 SHEET 1 OF 4</p>	

REVISION J

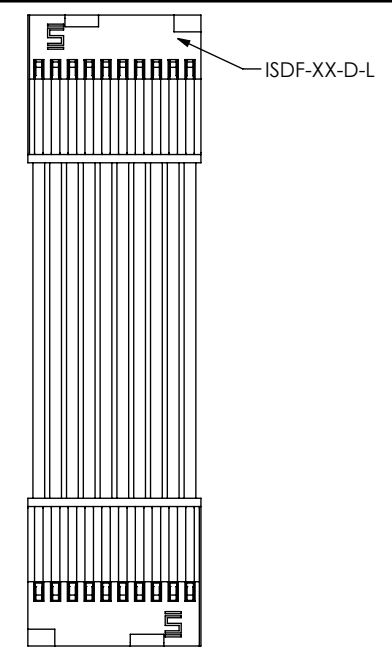
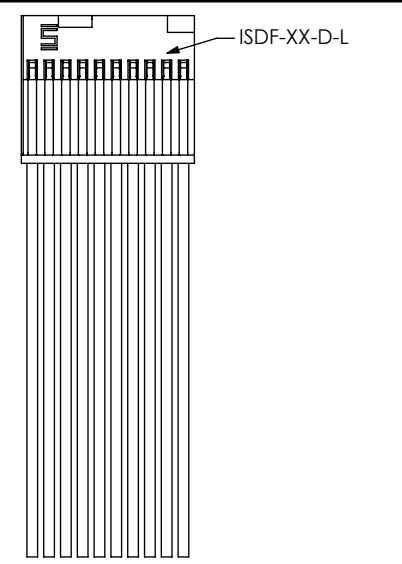
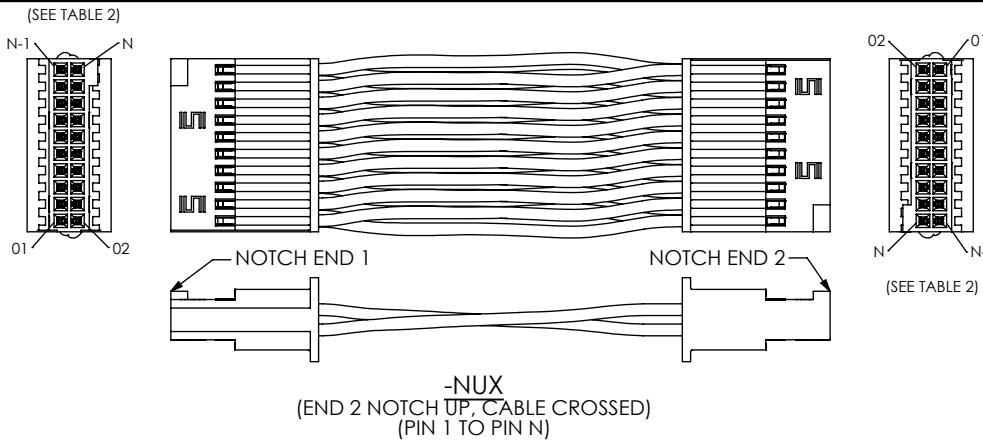
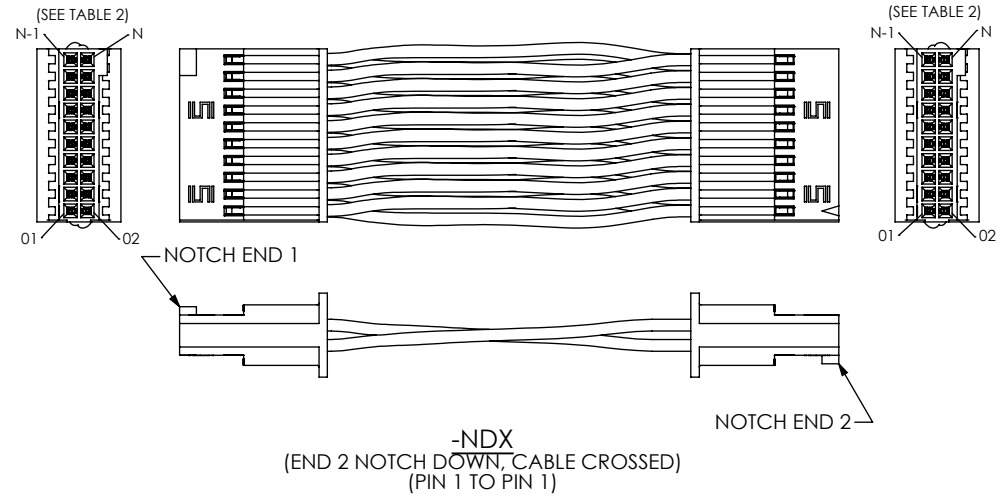
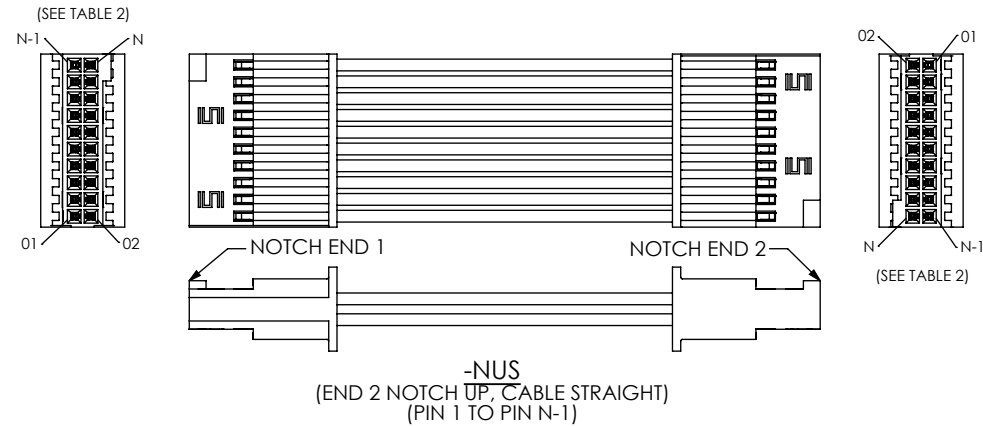
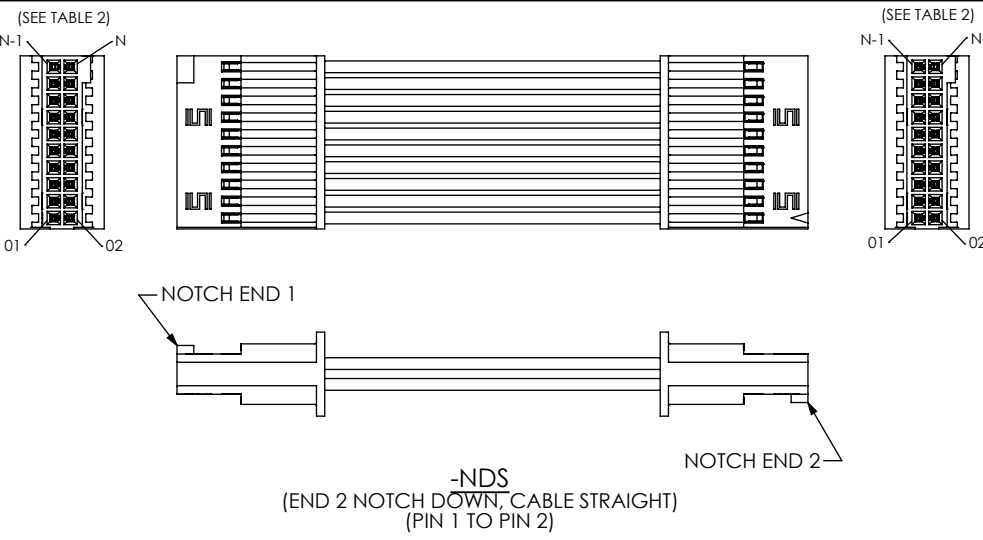


FIG. 3
-SL: SINGLE END RETENTION LOCK
(SFSD-10-28-X-XX.XX-SL SHOWN)
(SAME AS FIG. 1, UNLESS OTHERWISE STATED)

FIG. 4
-DL: DOUBLE END RETENTION LOCK
(SFSD-10-28-X-XX.XX-DL-NUS SHOWN)
(SAME AS FIG. 1, UNLESS OTHERWISE STATED)



PROPRIETARY NOTE
THIS DOCUMENT CONTAINS INFORMATION CONFIDENTIAL AND PROPRIETARY TO SAMTEC, INC. AND SHALL NOT BE REPRODUCED OR TRANSFERRED TO OTHER DOCUMENTS OR DISCLOSED TO OTHERS OR USED FOR ANY PURPOSE OTHER THAN THAT WHICH IT WAS OBTAINED WITHOUT THE EXPRESSED WRITTEN CONSENT OF SAMTEC, INC.



520 PARK EAST BLVD. NEW ALBANY, IN 47150
PHONE: 812-944-6733 FAX: 812-948-5047
e-Mail: info@SAMTEC.com code: 55322

DO NOT SCALE DRAWING

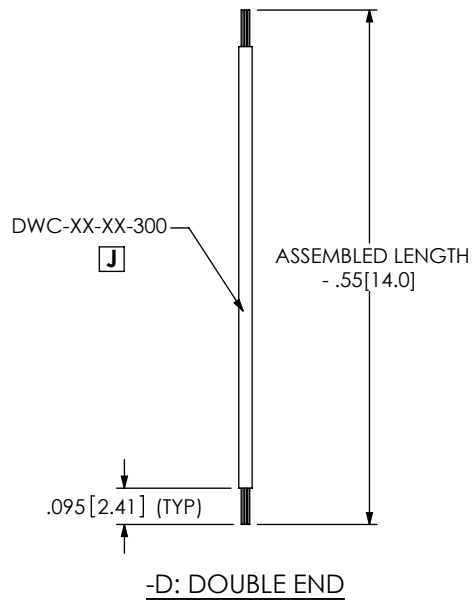
SHEET SCALE: 1:0.571429

DESCRIPTION:
.050[1.27] SOCKET DISCRETE CABLE ASSEMBLY

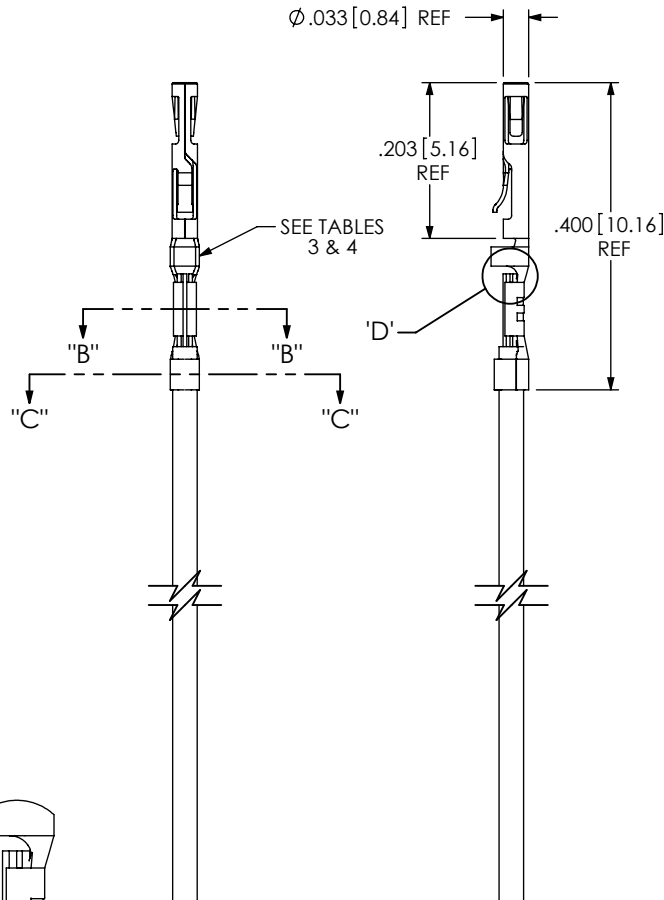
DWG. NO.
SFSD-XX-XXX-X-XX.XX-XX-XXX

BY: BRATCHER 5/5/2005 SHEET 2 OF 4

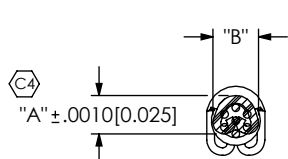
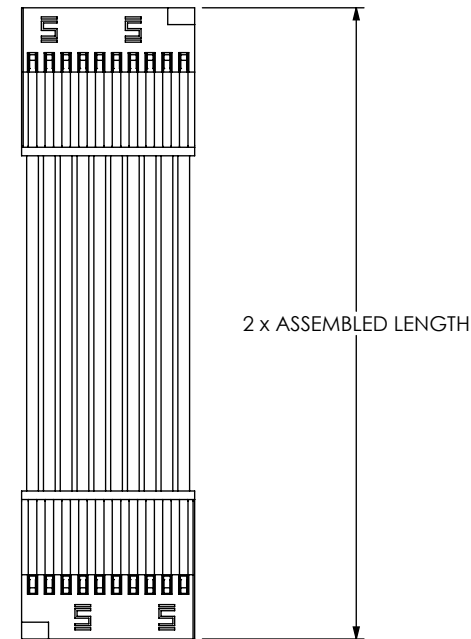
IN-PROCESS 1



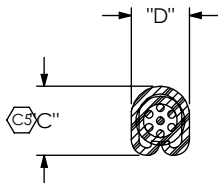
IN-PROCESS 2
(TYP BOTH END FOR -D: DOUBLE END)



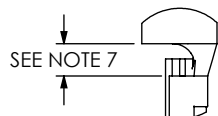
-S IN-PROCESS
(SFSD-10-28-X-XX.XX-D-NUS SHOWN)
(SAME AS FIG. 1, UNLESS OTHERWISE STATED)



SECTION "B"-"B"
SCALE 8:1



SECTION "C"-"C"
SCALE 8:1



DETAIL 'D'
SCALE 8:1

TABLE 3: GAUGE

AWG	CONTACT	CABLE	"A"	"B"	"C"	"D"
-28	C-203-2830-X or CC03X-2830-01-X	DWC-28-XX-300	.0200 [0.508]	.0300 [0.762]	.0450 [1.143]	.0380 [0.965]
-30	C-203-2830-X or CC03X-2830-01-X	DWC-30-XX-300	.0180 [0.457]	.0300 [0.762]	.0450 [1.143]	.0380 [0.965]

TABLE 4: PLATING

PLATING	CONTACT
-H	C-203-2830-H or CC03X-2830-01-H
-GF	C-203-2830-GF or CC03X-2830-01-GF
-G	C-203-2830-G or CC03X-2830-01-G
* -S	C-203-2830-H or CC03X-2830-01-S
* -F	C-203-2830-GF or CC03X-2830-01-F
* -L	C-203-2830-G or CC03X-2830-01-L

PROPRIETARY NOTE

THIS DOCUMENT CONTAINS INFORMATION CONFIDENTIAL AND PROPRIETARY TO SAMTEC, INC. AND SHALL NOT BE REPRODUCED OR TRANSFERRED TO OTHER DOCUMENTS OR DISCLOSED TO OTHERS OR USED FOR ANY PURPOSE OTHER THAN THAT WHICH IT WAS OBTAINED WITHOUT THE EXPRESSED WRITTEN CONSENT OF SAMTEC, INC.

DO NOT SCALE DRAWING

SHEET SCALE: 2:1



520 PARK EAST BLVD, NEW ALBANY, IN 47150
PHONE: 812-944-6733 FAX: 812-948-5047
e-Mail: info@SAMTEC.com code: 55322

DESCRIPTION:
.050 [1.27] SOCKET DISCRETE CABLE ASSEMBLY

DWG. NO. **J** SFSD-XX-XXX-X-XX.XX-XX-XXX

BY: BRATCHER 5/5/2005 SHEET 3 OF 4

FIG. 5
 -SR: SINGLE END WITH RETENTION LATCH
 (SFSD-10-28-X-XX.XX-SR SHOWN)
 (ONLY AVAILABLE ON -05 THRU -30 POS)
 (SAME AS FIG. 1, UNLESS OTHERWISE STATED)

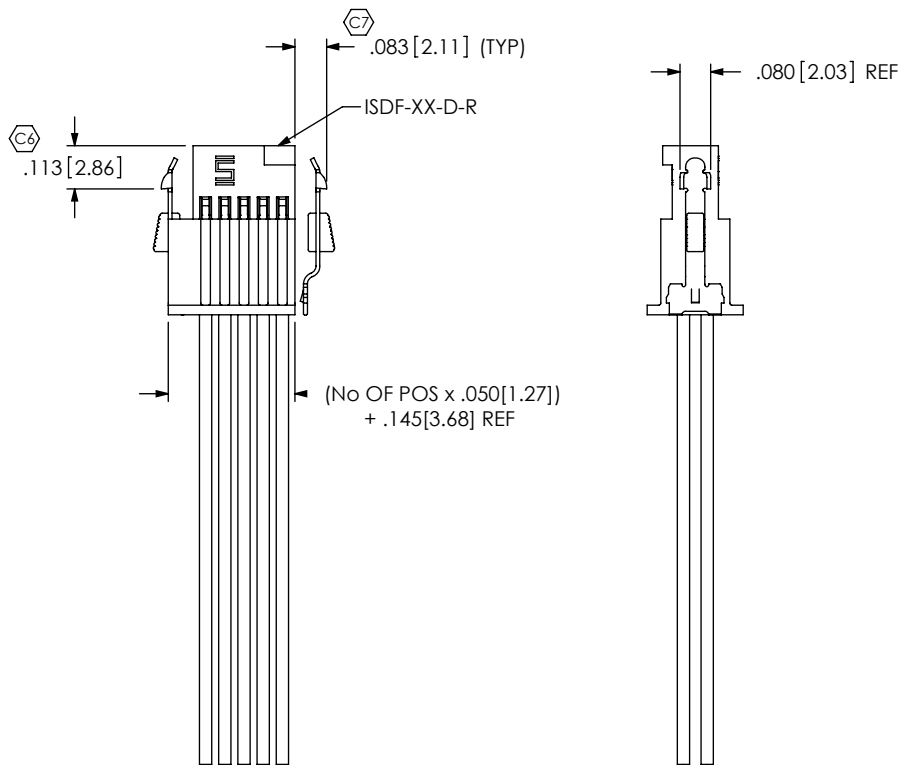
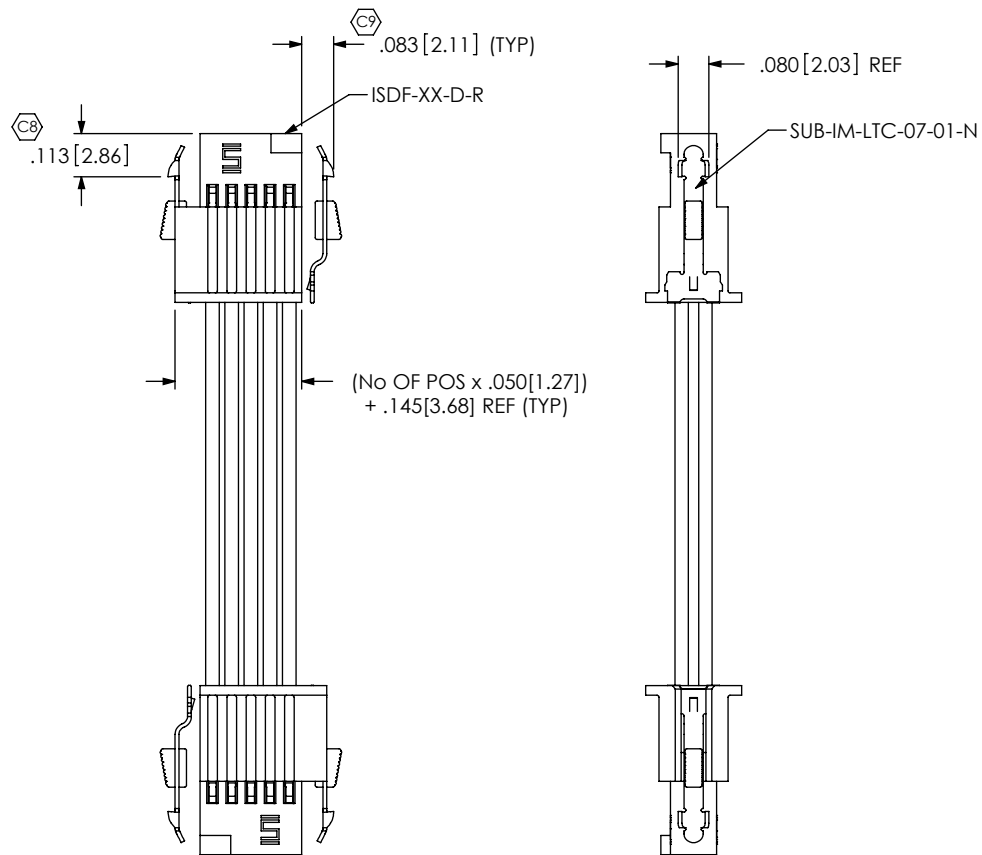


FIG. 6
 -DR: DOUBLE END WITH RETENTION LATCH
 (SFSD-10-28-X-XX.XX-DR SHOWN)
 (ONLY AVAILABLE ON -05 THRU -30 POS)
 (SAME AS FIG. 1, UNLESS OTHERWISE STATED)



J

SFSD color coded wire sequence

	COLOR									
	brown	red	orange	yellow	dk green	violet	gray	white	black	dk blue
pin #	1	2	3	4	5	6	7	8	9	10
	11	12	13	14	15	16	17	18	19	20
	21	22	23	24	25	26	27	28	29	30
	31	32	33	34	35	36	37	38	39	40
	41	42	43	44	45	46	47	48	49	50
	51	52	53	54	55	56	57	58	59	60
	61	62	63	64	65	66	67	68	69	70
	71	72	73	74	75	76	77	78	79	80
	81	82	83	84	85	86	87	88	89	90
	91	92	93	94	95	96	97	98	99	100

F:\DWG\SW\Exisprod\ASSEMBLY\Cable\SFSD-XX-XX-X-XX.XX-XXX-ASM.SLDDRW

PROPRIETARY NOTE
 THIS DOCUMENT CONTAINS INFORMATION CONFIDENTIAL AND PROPRIETARY TO SAMTEC, INC. AND SHALL NOT BE REPRODUCED OR TRANSFERRED TO OTHER DOCUMENTS OR DISCLOSED TO OTHERS OR USED FOR ANY PURPOSE OTHER THAN THAT WHICH IT WAS OBTAINED WITHOUT THE EXPRESSED WRITTEN CONSENT OF SAMTEC, INC.

DO NOT SCALE DRAWING

SHEET SCALE: 4:1



520 PARK EAST BLVD, NEW ALBANY, IN 47150
 PHONE: 812-944-6733 FAX: 812-948-5047
 e-Mail: info@SAMTEC.com code: 55322

DESCRIPTION:
 .050 [1.27] SOCKET DISCRETE CABLE ASSEMBLY

DWG. NO. **J** SFSD-XX-XXX-X-XX.XX-XX-XXX

BY: BRATCHER 5/5/2005 SHEET 4 OF 4